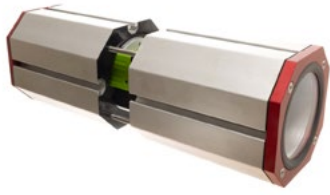
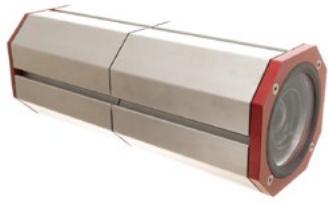
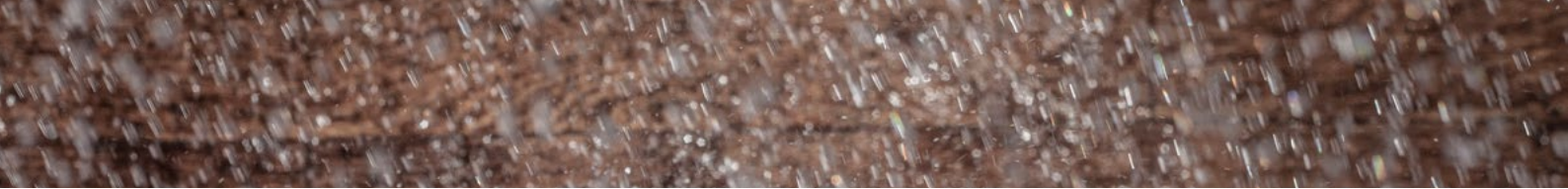


INDUSTRIAL CAMERA HOUSING **CH87**

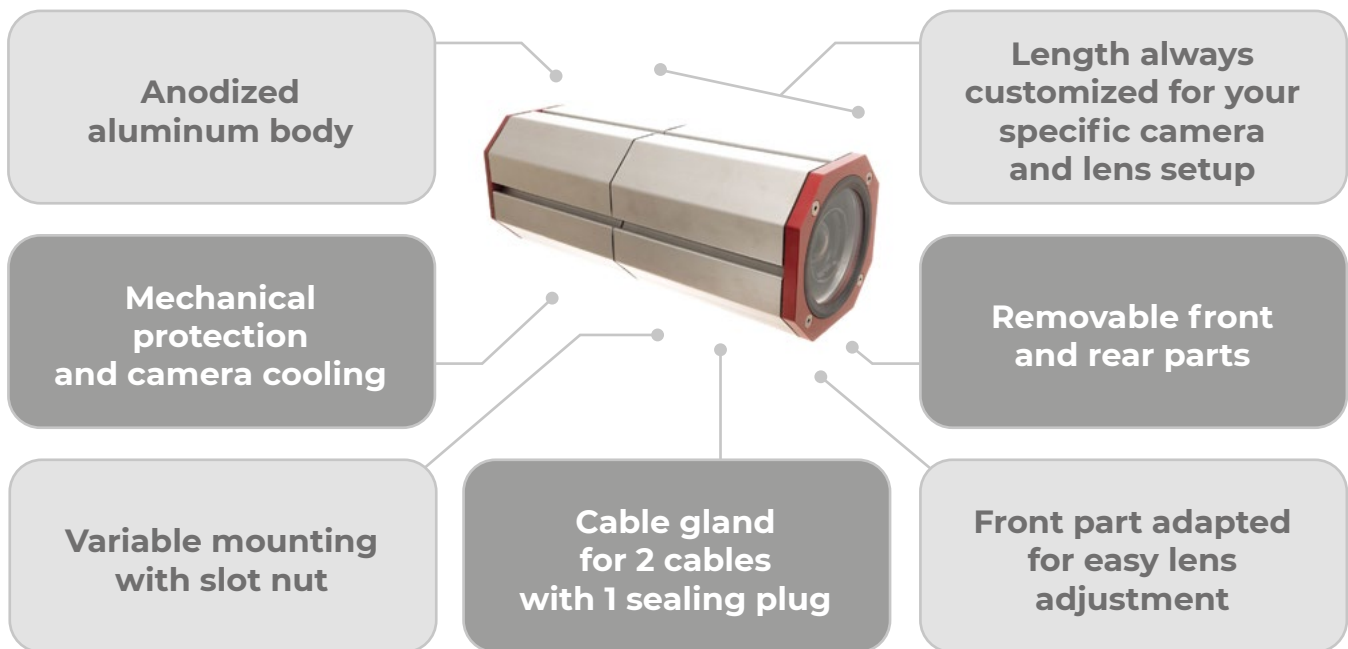


EN



CH87 industrial camera housing

The CH87 camera housing is designed to meet the most demanding requirements for protection and functionality in industrial environments. Its anodized aluminum body ensures not only mechanical protection but also efficient cooling of the camera. Thanks to the adapted front part, the lens can be easily and quickly adjusted, guaranteeing flexibility during installation. The housing is equipped with a cable gland for two cables with a sealing plug, making the connection process easier. The removable front and rear parts allow for easy handling and maintenance. The IP69 protection rating ensures high resistance to dust and water, making the CH87 housing an ideal solution for protecting larger cameras and longer lenses in harsh conditions. The length of the front and rear parts of the housing is always customized for the specific camera and lens setup.



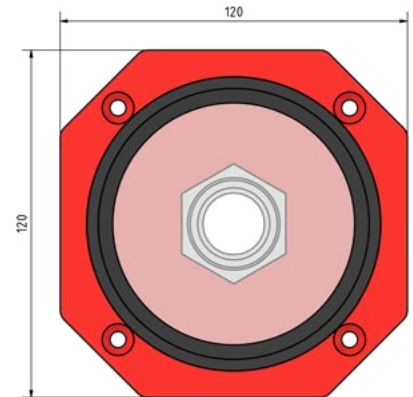
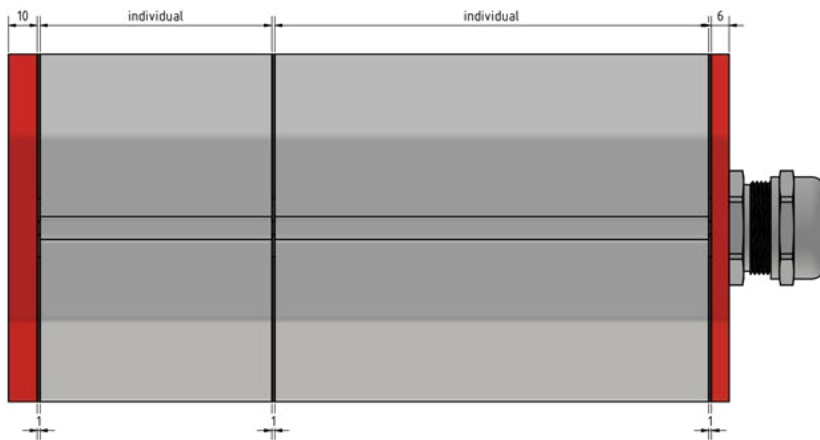
Material Properties

Body	Anodized aluminum
Sealing	EPDM
Window	H-K9L (borosilicate alternative), anti-reflection coating MgF2 for CH87.DIA83, PMMA for CH87.DIA87.PMMA
Cable gland	Nickel-plated brass, NBR
Mounting	Slot nut in T-slot

Dimensions and Environment

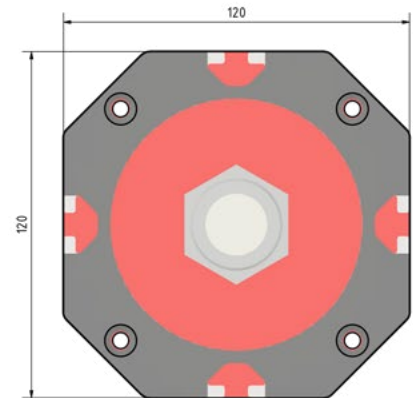
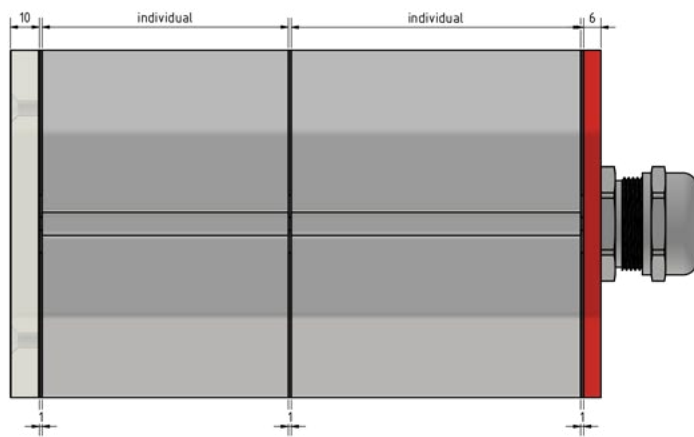
External dimensions	120 mm x 120 mm
Internal dimensions	Ø 87 mm ± 0.5mm
Window	83 mm for CH87.DIA83, 87 mm for CH87.DIA87.PMMA
Protection rating	IP 69
Weight	2.5 kg

Product dimensions



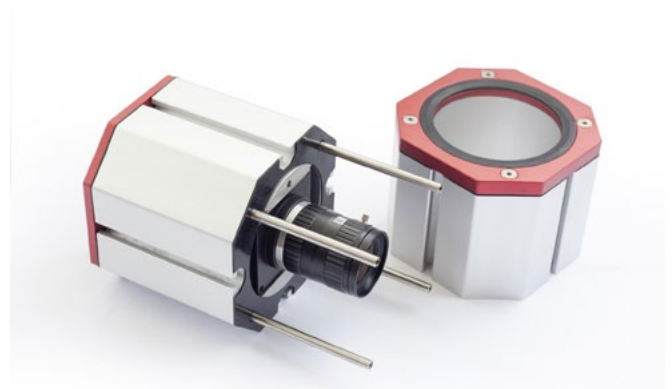
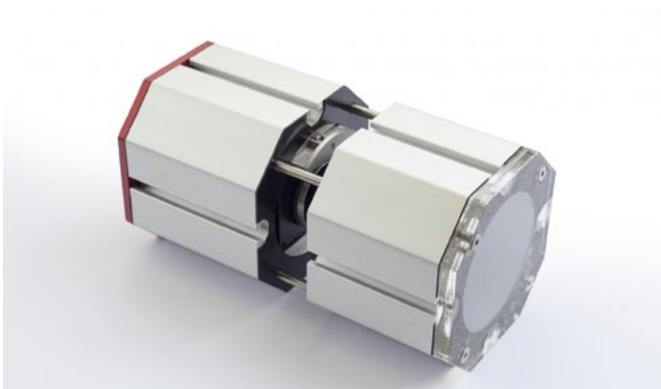
Standard dimensions of the CH87 housing with M32 cable gland, IP69 (mm).

CH87-DIA83



Standard dimensions of the CH87 housing with M32 cable gland, IP69 (mm).

CH87-DIA87-PMMA



The length of the cover and its division is individual for each order.

CH87

Accessories

1. Cable gland with an insert for 2 cables \varnothing 5–7 mm and a sealing plug for guiding one cable. Option to cut for inserting a cable with connectors.
2. 2x M8 slot nut.

Argutec, s. r. o.

Na Nivách 1339/4
700 30 Ostrava-Zábřeh
Czech Republic

www.argutec.eu